

## 易拆卸设计

### Easy assembly design

方便锁紧泵轴，防止泵轴内憋气  
无需特殊工装，方便拆装叶轮

Easy to lock pump shaft  
The hole make it easy for mounting  
dismounting the impeller nut

## 易维护设计

### Easy to maintain design

更换机封简便

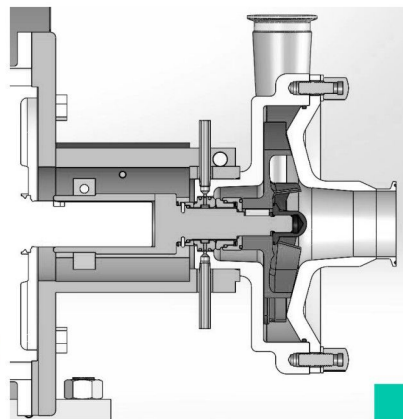
免拆泵头

免调叶轮与泵壳间隙

easy replacement seals

Unnecessary to dismantle pump casing

Unnecessary to adjust to gap between  
impeller and pump casing



## 卫生型机封

### Ture hygienic seal design

弹簧不接触物料

The spring doesn't contact with the product

